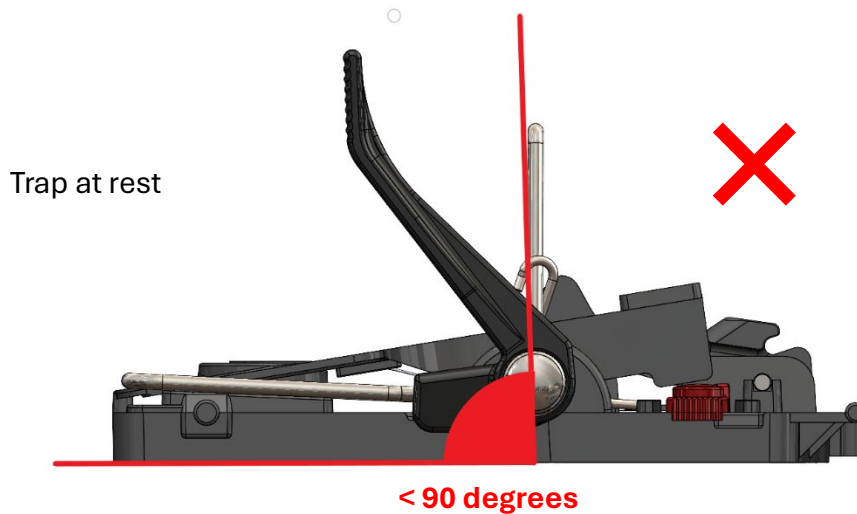


Simple check if your Super Max or Supervisor isn't setting...

Issue:

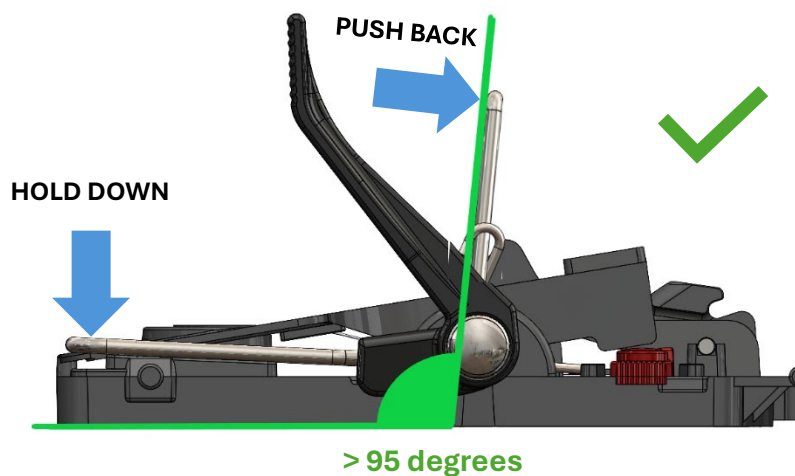
The Strike bar has been bent out of shape and will clash on the safety lock feature inside the trap. This will prevent the trap from setting.



The strike bar is 90 degrees or less to trap base as shown

To Fix:

1. Ensure trap is unset, remove shroud.
2. Hold the trap with the front towards you firmly on a flat, solid surface.
3. Put one hand across the rested large loop of the strike bar at the front of the trap.
4. With the heel of your other hand push smaller locking end back to position shown below.



Kill bar should be reclined 5 degrees back from front of trap as shown

Note:

Do not over-bait. Bait should be isolated to the bait pot only, avoid bait on the trigger plate this will stop the trap from setting properly.